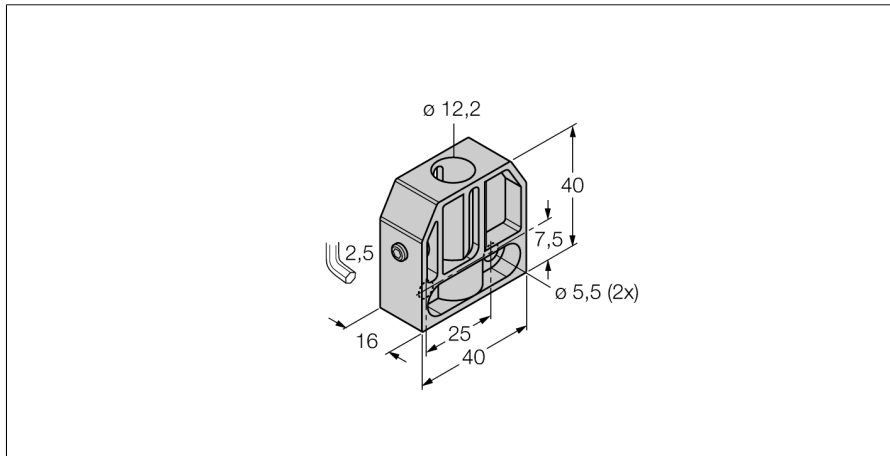


Accessories BS-12

TURCK
works

Industrial
Automation



- Fixing clamp M12 x 1
- Plastic PBT

Type designation	BS-12
Ident-No.	69470
Design	Accessories for threaded barrels, M12
Dimensions	40 x 45 x 22 mm
Housing material	Plastic, PBT